



Hot & Cold Water Dispenser

Safety Instructions2, 3

Using the Water Dispenser

Child Safeguard5

Features and Parts List4

Loading the Dispenser4

Specifications8

Care and Cleaning5-8

Troubleshooting Tips8, 9

Consumer Support

Consumer SupportBack Cover

WarrantyBack Cover

Français

Informations en matière de sécurité10, 11

Utilisation du distributeur d'eau

Caractéristiques et liste de pièces12

Caractéristiques techniques16

Chargement du distributeur12

Sauvegarde pour la protection des enfants . . .13

Entretien et nettoyage13-16

Conseils de dépannage16, 17

Soutien au consommateur

Garantie18

Soutien au consommateur18

Español

Información de seguridad19, 20

Cómo utilizar el dispensador de agua

Cómo cargar el dispensador21

Especificaciones25

Lista de partes y características21

Seguro contra niños22

Cuidado y limpieza22-25

Solucionar problemas25, 26

Apoyo al consumidor

Garantía27

Apoyo al consumidor27

Owner's Manual

GXCC01D countertop model*
GNCF04H/GXCF05D floor model*
GXCF20E/GXCF20FBB chiller model

Distributeur d'eau chaude ou froide

Manuel d'utilisation

La section française commence à la page 10

Dispensador de agua caliente & fría

Manual del propietario

La sección en español empieza en la página 19

*ENERGY STAR® qualified product.



As an ENERGY STAR® partner, GE has determined that this product meets the ENERGY STAR® guidelines for energy efficiency.

IMPORTANT SAFETY INFORMATION. READ ALL INSTRUCTIONS BEFORE USING.

⚠ WARNING!

Use this appliance only for its intended purpose as described in this Owner's Manual.



SAFETY PRECAUTIONS

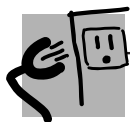
When using electrical appliances, basic safety precautions should be followed, including the following:

- This water dispenser must be properly installed and located in accordance with these instructions before it is used.
- Do not allow children to climb, stand or hang on the outside of the dispenser, or on the shelves inside the storage cabinet (on some models). They could tip the dispenser over and damage it and seriously injure themselves.
- Do not store or use gasoline or other flammable vapors and liquids in the vicinity of this or any other appliance.
- Unplug the water dispenser before cleaning or making repairs.
NOTE: GE does not support any servicing of the dispenser. We strongly recommend that you do not attempt to service the dispenser yourself.
- Do not use this dispenser to dispense anything other than water.
- Do not plug in the power cord or turn on the power switches when the water dispenser is empty.
- Wipe up any water spills immediately after loading or unloading water bottles.
- Children should be supervised by a parent when using this product.
- **WARNING:** Do not use with water that is microbiologically unsafe or of unknown quality.
- **CAUTION:** The dispenser heats water to a temperature of approximately 194°F (90°C). Water temperatures above 125°F (52°C) can cause severe burns or death from scalding. Children, the disabled and the elderly are at highest risk of being scalded.
- **NOTICE:** This product is intended solely for use in chilling canned and boxed beverages, and packaged nonperishables.



PROPER INSTALLATION AND LOCATION

- Allow at least 1" (2.5 cm) of space between the back of the water dispenser and the wall to allow for proper air circulation.
- Do not install the water dispenser where the temperature will go below 50°F (10°C) or above 100°F (38°C).
- Install the water dispenser on a level floor or counter strong enough to support it when fully loaded. Do not install where it will be subject to direct sunlight, heat or moisture.



GROUNDING INSTRUCTIONS

WARNING: *Improper use of the grounding plug can result in a risk of electric shock.*

This appliance must be grounded. In the event of an electrical short circuit, grounding reduces the risk of electric shock.

This appliance is equipped with a power cord having a grounding wire with a grounding plug. The plug must be plugged into an outlet that is properly installed and grounded.

Consult a qualified electrician if the grounding instructions are not completely understood, or if doubt exists as to whether the appliance is properly grounded.

If the outlet is a standard 2-prong wall outlet, it is your personal responsibility and obligation to have it replaced with a properly grounded 3-prong wall outlet.

Do not under any circumstances cut or remove the third (ground) prong from the power cord.

Do not use an adapter plug with this appliance.

Do not use an extension cord with this appliance. If the power cord is too short, have a qualified electrician install an outlet near the appliance.

For best operation, plug the appliance into its own electrical outlet on a dedicated circuit to prevent flickering of lights, blowing of fuse, or tripping of circuit breaker.

PROPER DISPOSAL OF THE WATER DISPENSER

Refrigerant Disposal

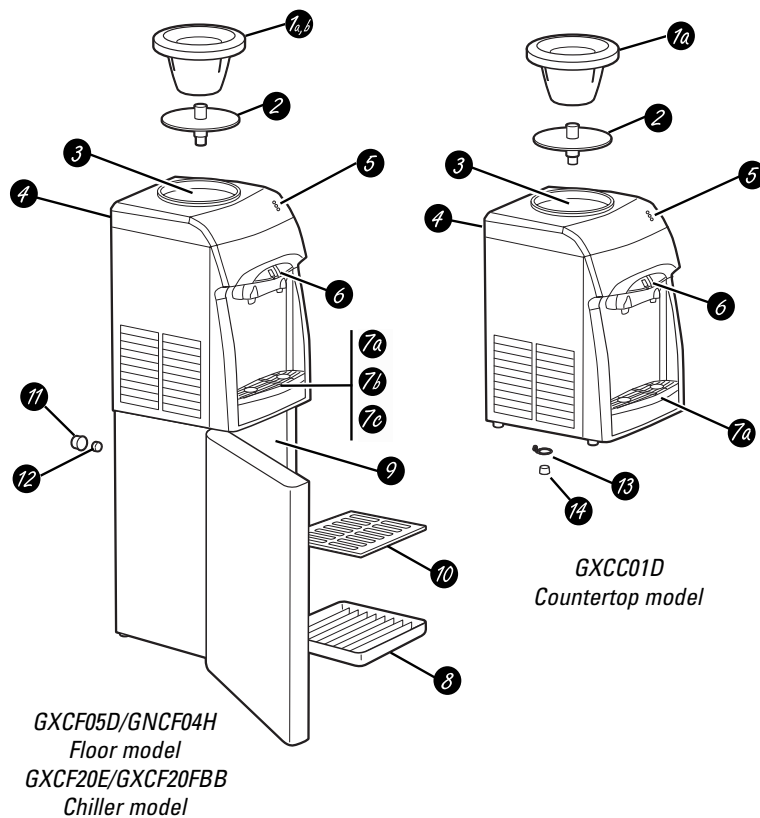
Your old water dispenser may have used a regulated refrigerant in its cooling system. These refrigerants are believed to harm stratospheric ozone. If you are throwing away your old dispenser, make sure the refrigerant is removed and recovered for proper disposal by an EPA-certified technician. If you intentionally release this refrigerant, you can be subject to fines and imprisonment under provisions of environmental legislation.



READ AND FOLLOW THIS SAFETY INFORMATION CAREFULLY.

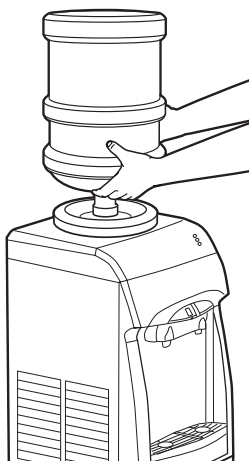
SAVE THESE INSTRUCTIONS

Using the water dispenser.



Features and Parts List

- 1a Bottle Support Collar (WS28X10047), grey for models GXCF05D, GNCF04H and GXCC01D
- 1b Bottle Support Collar (WS28X10049), white for model GXCF20E, (WS28X10048) black for model GXCF20FBB
- 2 Separator (WS28X10013)
- 3 Cold Water Tank
- 4 Hot (Red) and Cold (Blue) Power Switches (back of dispenser). The Cold (Blue) power switch also turns on the chiller compartment (on model GXCF20E).
- 5 Indicator Lights. The green light will be lit when the dispenser is plugged in. The red and blue lights will cycle on and off while the dispenser heats and cools water. Compressor start delayed by up to 3 minutes.
- 6 Hot (Red) and Cold (Blue) Water Dispenser Buttons
- 7a Dispenser Drip Tray (WS28X10016) and Grille (WS28X10015), grey for models GXCF05D, GNCF04H and GXCC01D
- 7b Dispenser Drip Tray (WS28X10026) and Grille (SW28X10027) white for model GXCF20E
- 7c Dispenser Drip Tray (WS28X10031) and Grille (WS28X10034) black for model GXCF20FBB
- 8 Compartment Tray (model GXCF20E/GXCF20FBB only) (WS29X10029)
- 9 Storage Compartment (GXCF05D and GNCF04H). Do not use to store foods requiring refrigeration. The compartment is not refrigerated. **Chiller Compartment (GXCF20E).** The compartment is intended solely for use in chilling canned and boxed beverages, and packaged nonperishables.
- 10 Compartment Shelf (WS28X10028)
- 11 Drainage Cap (floor and chiller models) (WS01X10008)
- 12 Silicon Stopper (floor and chiller models) (WS01X10007)
- 13 Retaining Clip (countertop models) (WS01X10010)
- 14 Rubber Drain Cover (countertop models) (WS01X10011)



Loading the Dispenser and Start Up

Sanitize the dispenser water tanks prior to installing a full bottle of water for the first time (see "Cleaning and Sanitizing the Water Tanks").

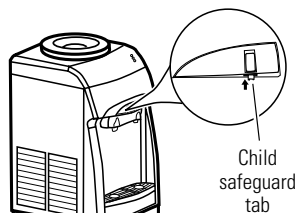
IMPORTANT: Make sure the dispenser is unplugged with both the hot and cold power switches (on the back of the dispenser, on models so equipped) set to the **0 (off)** position. Before placing the water bottle on the dispenser, wash hands and wipe the top of the bottle with a clean cloth. Avoid touching the part of the bottle that will be in contact with the water dispenser.

Make sure the water level in the top of the dispenser is low enough to allow for proper bottle installation. Failure to do so may cause the dispenser to overflow.

1. Peel the label from the top cover of the bottle (if present). Do **not** remove the entire bottle cap.

2. Place the bottle on top of the dispenser as shown, aligning the dispensing valve probe to the center of the water bottle cap. Press down until the probe penetrates the bottle cap, allowing the bottle to rest on the support collar.
3. **IMPORTANT: Press both dispense buttons until water runs from both taps.**
4. Plug in the dispenser.
5. Set the COLD and HOT power switches (located on the top left rear of the dispenser, on models so equipped) to the **1 (on)** position.
6. Allow 30 minutes for water to reach hot and cold temperatures.

Contact a local water bottle distributor to purchase water bottles.



Child Safeguard

The HOT dispenser button is equipped with a child safeguard that reduces the risk of hot water being dispensed accidentally or by small children. To use the button, slide the tab up and press the button in.

The dispenser heats water to a temperature of approximately 190°F (88°C). Water temperatures above 125°F (52°C) can cause severe burns or death from scalding. Children, the disabled and the elderly are at highest risk of being scalded.

CAUTION: Children should be supervised by a parent when using this product.

Care and cleaning of the dispenser.

Cleaning the Outside Cabinet and Storage/Chiller Compartment (on some models)

IMPORTANT: Set both power switches (on the back of the dispenser) in the **O (off)** position and unplug the water dispenser before cleaning.

The cabinet and compartment of the dispenser can be washed with mild soap and water. Rinse thoroughly with clear water. Never use commercial cleaners or abrasive scouring powders.

Sweep away or vacuum any dust from the condenser coils on the back of the unit. For best results, use a brush specially designed for this purpose. It is available at most appliance stores.



Cleaning the Inside of the Chiller Compartment (GXCF20E/GXCF20FBB)

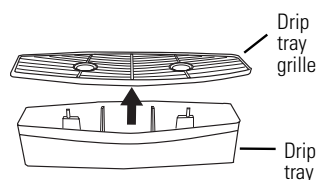
To help prevent odors, leave an open box of baking soda in the chiller compartment.

Unplug the dispenser before cleaning.

Use warm water and baking soda solution—about a tablespoon (15 ml) of baking soda to a quart (1 liter) of water. This both cleans and neutralizes odors. Rinse and wipe dry.

Clean other parts of the chiller compartment—including door gaskets and all plastic parts—the same way.

Do not wash any plastic chiller parts in the dishwasher.



Cleaning the Drip Tray and Grille

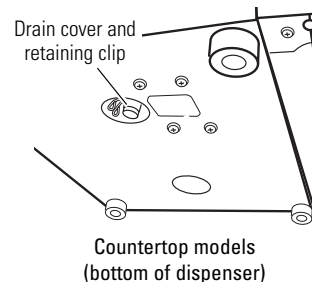
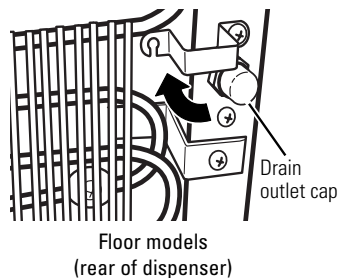
The dispenser drip tray is not self-draining. To reduce water spotting or deposits, the tray and its grille should be emptied, cleaned and wiped dry regularly.

Clean with mild soap or on the top rack in the dishwasher.

Care and cleaning of the dispenser.

Draining the Dispenser

The dispenser should be drained before cleaning the tanks and before leaving for long vacations or absences.

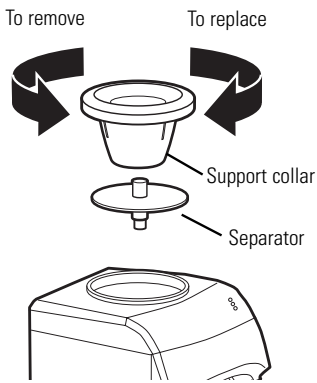


Floor Models

1. Set both power switches (on the back of the dispenser) in the **O (off)** position and unplug the dispenser.
 2. Remove the water bottle from the dispenser.
 3. Put a container that will withstand hot water under the hot water tap. **Press the hot dispenser button until the water is cool (about 1 quart)**. Add water to the cold water reservoir (on top where the bottle supplies water) as needed.
 4. Dispense water from both buttons into container(s) until no more water can be dispensed (about 1 quart of water still remains in the dispenser).
 5. Place a large bucket beneath the drain outlet on the rear of the dispenser.
 6. Using a Phillips screwdriver, loosen the screws on the bracket covering the drain outlet cap. Rotate the bracket out of the way to allow access to the cap.
 7. Remove the cap and silicon stopper from the drain outlet and allow water to drain. After draining, **replace the stopper and cap**.
 8. Rotate the bracket back into place and tighten screws.
- Make sure to install a full bottle and dispense water from the hot water tap before plugging in and turning on the dispenser (see *Loading the Dispenser*).

Countertop Models

1. Set both power switches (on the back of the dispenser) in the **O (off)** position and unplug the dispenser.
 2. Remove the water bottle from the dispenser.
 3. Put a container that will withstand hot water under the hot water tap. **Press the hot dispenser button until the water is cool (about 1 quart)**. Add water to the cold water reservoir (on top where the bottle supplies water) as needed.
 4. Dispense water from both buttons into container(s) until no more water can be dispensed (about 1 quart of water still remains in the dispenser).
- WARNING:** Lift the dispenser carefully; it weighs approximately 40 lbs (18 kg). Avoid accidentally pressing the dispenser buttons while lifting or carrying.
5. Place the dispenser over a sink with 3 feet on the counter. Hold or secure the dispenser steady while removing the retaining clip and drain cover. Remove the retaining clip and drain cover from the drain outlet, making sure not to damage the drain cover. Allow water to drain.
 6. After draining, **replace the drain cover and retaining clip**.
- Make sure to install a full bottle and dispense water from the hot water tap before plugging in and turning on the dispenser (see *Loading the Dispenser*).



Cleaning the Separator

IMPORTANT: Set both power switches (on the back of the dispenser) in the **O (off)** position and unplug the water dispenser before cleaning.

1. Remove the water bottle and drain the dispenser (see *Draining the Dispenser*).
2. Remove the support collar by turning **counterclockwise** and pulling straight off.
3. Remove the plastic separator by pulling straight out (you may need to twist slightly to loosen).
4. Clean the separator with dish soap and water or in the top rack of the dishwasher.
5. Dry the separator thoroughly on both sides.
6. Using a clean cloth or paper towel, thoroughly dry the cold water reservoir.
7. Place the separator back in the dispenser. Make sure the long, tapered end of the separator is positioned firmly on the metal plug on the bottom of the reservoir.
8. Replace the support collar and turn **clockwise** until it is firmly in place.
9. Install a full water bottle on the dispenser (see *Loading the Dispenser*).

Sanitizing and Cleaning the Water Tanks

IMPORTANT: Periodically the water dispenser tanks must be sanitized to prevent unpleasant tastes in the water and cleaned to remove mineral deposits that can impair flow.

To Sanitize:

1. Before cleaning, set both power switches (on the back of the dispenser) in the **O (off)** position and **unplug the water dispenser**.
NOTE: For first time installation, skip steps 2–4.
2. Empty the water bottle, then remove it from the dispenser.
3. Drain the water tanks (see *Draining the Dispenser*).
4. **Reinstall the silicon stopper and drain cap (on floor models) or the drain cover and retaining clip (on countertop models)** (see *Draining the Dispenser*).
5. **DO NOT ADD BLEACH FIRST OR DIRECTLY TO THE DISPENSER. Concentrated bleach may damage plastic.**
Add 1/2 teaspoon (2.5 ml) of ordinary 6.0% maximum household bleach to a 2 quart (2 liter) pitcher filled with tap water.
6. Pour the solution in the opening at the top of the dispenser.
7. Repeat steps 5 and 6 until the dispenser is full.
8. Press the hot and cold dispenser buttons until the water just begins to flow from the taps.
9. Allow to sit for 15–20 minutes.
10. **Rinse out the bleach solution:**
 - Drain the water tanks into a large bucket (floor models) or sink (countertop models) (see *Draining the Dispenser*).
 - Make sure that the silicon stopper (floor models) or drain cover (countertop models) is **NOT** installed.



- **IMPORTANT: Remove the separator and wipe out the cold water reservoir** (see *Cleaning the Separator*).
 - Clean, then reinstall the separator and collar (see *Cleaning the Separator*).
 - Pour approximately 1 gallon (4 quarts or 4 liters) of fresh tap water into the top and allow to drain into the bucket (floor models) or sink (countertop models).
 - Flush with an additional 1 gallon (4 quarts or 4 liters) of fresh tap water and allow to drain into the bucket (floor models) or sink (countertop models).
11. **Reinstall the silicon stopper and drain cap (on floor models) or the drain cover and retaining clip (on countertop models)** (see *Draining the Dispenser*).
 12. Install a fresh water bottle (see *Loading the Dispenser*).
 13. **Dispense 1 quart (1 liter) of water from each tap** and taste to make sure the bleach solution is completely removed.

If you continue to taste the chlorine from the bleach solution, repeat steps 10–13 until the taste is gone.

14. Plug in the dispenser. Then turn on the hot and cold power switches (on the back of the dispenser).



To Remove Mineral Deposits:

Mix 2 quarts (2 liters) of water with two quarts of vinegar **OR** mix 1 gallon of water (4 liters) with 16 ounces (454 g) of citric acid crystals. Bleach does not remove mineral deposits. Do this in place of step 5 when removing mineral deposits.

Care and cleaning of the dispenser.

Defrosting (GXCF20E/GXCF20FBB Chiller Model)

Defrost whenever frost on the wall of the chiller compartment becomes excessive. **Never use a sharp or metallic instrument to remove frost as it may damage the liner.** We recommend using a plastic scraper. Do not use any electrical device in defrosting your chiller compartment.

To defrost:

- Remove items from the compartment.
- Turn the Cold (Blue) Power switch to off and unplug the dispenser.
- Put several towels in the bottom of the compartment to collect water.

Defrosting usually takes a few hours. To defrost faster, keep the door open.

After defrosting:

- Remove the wet towels and wipe up any remaining water.
- Wipe the compartment with a dry cloth.
- Plug in the unit and turn on the Cold (Blue) power switch. Return items to the unit.

Preparing for Vacation

For long vacations or absences, set both power switches (on the back of the dispenser) to the **0 (off)** position.

1. Unplug the water dispenser.
2. Remove the water bottle.
3. Drain the water tanks (see *Draining the Dispenser*).

4. Dry the separator thoroughly on both the top and bottom (see *Cleaning the Separator*).
5. Leave the door of the chiller compartment open (on some models).

After returning from vacation, make sure to sanitize the water tanks before using the dispenser (see *Cleaning and Sanitizing the Water Tank*).

Specifications

Chilling Rate: approx. 0.5 gallons (2 liters) per hour

Heating Rate: approx. 0.8 gallons (3 liters) per hour

Capacity: 3 or 5 gallon bottle

Power Consumption: Heating: 480 watts max.
Cooling: 125 watts max.

Troubleshooting Tips.

Problem	Possible Causes	What To Do
Water has poor taste or odor	Separator needs cleaning.	• See <i>Cleaning the Separator</i> .
	Unit needs to be sanitized.	• See <i>Cleaning and Sanitizing the Water Tanks</i> .
Water not hot enough or cold enough	Dispenser is unplugged.	• Push the plug completely into the outlet.
	The fuse is blown/circuit breaker is tripped.	• Replace house fuse or reset the house circuit breaker. • If too many items are plugged into a single circuit, move some items to a different circuit.
	All the water in the water tank has been used.	• Wait 30 minutes for water to heat or cool.
	Temperature limiter tripped.	• Set the hot and cold power switches (on the back of the dispenser) to the 0 (off) position. Wait five minutes; then set the switches to the 1 (on) position. Wait 30 minutes for water to heat or cool.
Water dispenser does not work – No water flow	Empty water bottle.	• Replace with a new bottle of water.
	Mineral deposits clogging tanks.	• See <i>Care and Cleaning</i> .
Cold water button does not dispense	Chiller door has been left open.	• Close chiller door.
	Ice buildup blocking water flow.	• Turn off cold power switch overnight and flip back on in the morning.
Water dispenser leaks from the outside	Crack or pin hole in bottle.	• Replace with a new bottle of water.
Compressor does not start when cold power switch/blue light is on	Normal Operation—Compressor start is delayed by up to 3 minutes to prolong the compressor life.	• Wait for up to 3 minutes for the compressor to start.
Bottle feels warm	Water system overfilled. Water is boiling in the hot tank and bubbling up into the bottle.	• Dispense cold water until air is released into the bottle.

Problem	Possible Causes	What To Do
Water dispenser is noisy	Water dispenser is uneven.	<ul style="list-style-type: none"> • Make sure the water is installed on a level floor or counter strong enough to support it when fully loaded.
	Bottle making a gurgling noise as water fills the tanks.	<ul style="list-style-type: none"> • This is normal.
	Hot water boiling sound.	<ul style="list-style-type: none"> • This is normal.
	Dispenser or water bottle shakes when the cooling system cycles off.	<ul style="list-style-type: none"> • This is normal.
Particles floating in water	Water has high mineral content.	<ul style="list-style-type: none"> • Find a water source with lower hardness.
Foul odor in air around dispenser	Hot water tank is empty or not completely full.	<ul style="list-style-type: none"> • Press the hot dispenser button until water flows to remove air from the hot tank.
Chiller does not operate (chiller models only)	Chiller is not on.	<ul style="list-style-type: none"> • Turn the Cold (Blue) power switch on.
	Water dispenser is unplugged.	<ul style="list-style-type: none"> • Push the plug completely into the outlet.
	The fuse is blown/circuit breaker is tripped.	<ul style="list-style-type: none"> • Replace fuse or reset the breaker.
Vibration or rattling (slight vibration is normal)	Water dispenser is on an uneven surface.	<ul style="list-style-type: none"> • Use shims to level the unit.
Compressor/motor operates (blue light on) for long periods or cycles (chiller models only)	Often occurs when large amounts of food are placed in cooler.	<ul style="list-style-type: none"> • This is normal.
	Door left open.	<ul style="list-style-type: none"> • Check to see if package is holding door open.
	Hot weather or frequent door openings.	<ul style="list-style-type: none"> • This is normal.
Compressor/motor operates (blue light on) for long periods or cycles (all models)	Normal when unit is first plugged in.	<ul style="list-style-type: none"> • Wait 24 hours for the unit to completely cool down.
	Not enough clearance from the wall.	<ul style="list-style-type: none"> • Make sure there is enough air circulation around the unit.
	Water system overfilled.	<ul style="list-style-type: none"> • Dispense water from the cold faucet until air is released into the bottle.
Chiller compartment too warm (chiller models only)	Door left open.	<ul style="list-style-type: none"> • Check to see if package is holding door open.
Compartment/cold water too cold/frozen	Low ambient temperature.	<ul style="list-style-type: none"> • Place units in room temperature environment.
Chiller compartment has odor (chiller models only)	Foods transmitting odor to chiller.	<ul style="list-style-type: none"> • Foods with strong odors should be tightly wrapped. • Keep an open box of baking soda in the unit; replace every three months.
	Interior needs cleaning.	<ul style="list-style-type: none"> • See <i>Care and cleaning</i>.
Moisture forms on outside of chiller compartment (chiller models only)	Not unusual during periods of high humidity and/or temperature.	<ul style="list-style-type: none"> • Wipe surface dry. • Operate unit in temperature- and humidity-controlled location. • Place unit in tray to contain moisture accumulation.
Moisture collects inside chiller compartment (in humid weather, air carries moisture into chiller compartment when door is opened) (chiller models only)	Too frequent or too long door openings.	<ul style="list-style-type: none"> • Minimize time door is open. • Wipe surface dry. • Empty internal drip tray. • Operate unit in temperature- and humidity-controlled location. • Place unit in tray to contain moisture accumulation.

INFORMATIONS IMPORTANTES EN MATIÈRE DE SÉCURITÉ. LISEZ TOUTES LES INSTRUCTIONS AVANT D'UTILISER CET APPAREIL.

⚠ AVERTISSEMENT!

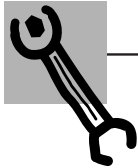
N'utilisez cet appareil qu'aux fins prévues dans le Manuel du propriétaire.



PRÉCAUTIONS DE SÉCURITÉ

Quand vous utilisez un appareil électroménager, vous devez suivre des précautions en matière de sécurité, en particulier les suivantes :

- Vous devez bien installer et placer ce distributeur d'eau, conformément à ces instructions, avant de l'utiliser.
- Ne permettez jamais à des enfants de grimper, de se tenir ou de se pendre à l'extérieur du distributeur ou sur les étagères qui se trouvent à l'intérieur de l'armoire de rangement (sur certains modèles). Ils peuvent renverser le distributeur et l'endommager ou se blesser sérieusement.
- Ne rangez jamais ou n'utilisez jamais d'essence ou d'autre liquide ou vapeur inflammable à proximité de ce distributeur ou de tout autre appareil électroménager.
- Débranchez votre distributeur d'eau avant de le nettoyer ou de le réparer.
NOTE : GE n'est en faveur d'aucune réparation ou entretien pour le distributeur. Nous vous recommandons fortement de ne pas essayer d'assurer vous-même les réparations ou l'entretien de votre distributeur.
- N'utilisez jamais ce distributeur pour distribuer autre chose que de l'eau.
- Ne mettez pas le commutateur de marche en position de marche ou ne branchez pas le cordon d'alimentation quand le distributeur est vide.
- Essuyez toute éclaboussure d'eau immédiatement après avoir chargé ou déchargé les bouteilles d'eau.
- Les enfants doivent être surveillés par un parent quand ils utilisent ce produit.
- **AVERTISSEMENT :** N'utilisez jamais d'eau qui ne soit pas microbiologiquement saine ou qui soit de qualité inconnue.
- **ATTENTION :** Le distributeur réchauffe l'eau à une température d'environ 90 °C (194 °F). L'eau à une température supérieure à 52 °C (125 °F) peut occasionner des brûlures sévères ou la mort par ébullition. Les enfants, les personnes handicapées et les personnes âgées courent le plus grand risque d'être ébouillantés.
- **AVIS :** Ce produit ne doit être utilisé que pour refroidir des boissons en boîte ou en paquet et des aliments non-périssables emballés.



BONNE INSTALLATION ET BON ENTRETIEN

- Laissez au moins 2,5 cm (1 po) d'espace libre entre l'arrière du distributeur d'eau et le mur, pour permettre une bonne circulation d'air.
- N'installez jamais le distributeur d'eau dans un emplacement où la température peut descendre au-dessous de 10 °C (50 °F) ou monter au-dessus de 38 °C (100 °F).
- Installez le distributeur d'eau sur un plancher ou comptoir suffisamment fort pour le porter quand il est complètement plein. Ne l'installez jamais dans un emplacement où il peut être exposé directement au soleil, à la chaleur ou à l'humidité.



INSTRUCTIONS DE MISE À LA TERRE

AVERTISSEMENT : *Une mauvaise utilisation de la fiche triphasée peut occasionner une secousse électrique.*

Cet appareil électroménager doit être mis à la terre. En cas de court circuit électrique, la mise à la terre réduit le risque de secousse électrique.

Cet appareil électroménager est muni d'un cordon d'alimentation muni d'un fil de mise à la terre avec une fiche triphasée. La fiche doit être branchée dans une prise murale qui est bien installée et mise à la terre.

Consultez un électricien qualifié si vous ne comprenez pas bien les instructions de mise à la terre ou si vous ne savez pas si votre appareil est bien mis à la terre.

Si la prise murale est une prise normale biphasée, vous êtes responsable et vous êtes obligé de la remplacer par une prise triphasée bien mise à la terre.

Ne coupez ou n'enlevez jamais la troisième broche (mise à la terre) du cordon d'alimentation.

N'utilisez pas une fiche d'adaptation avec cet appareil.

N'utilisez pas de rallonge électrique avec cet appareil. Si le cordon d'alimentation est trop court, demandez à un électricien qualifié d'installer une prise murale près de votre appareil.

Pour un meilleur fonctionnement, branchez cet appareil électroménager à sa propre prise électrique pour éviter toute lumière qui clignote, fusible qui saute ou disjoncteur qui bascule.

BONNE MISE AU REBUT DU DISTRIBUTEUR D'EAU

Disposition du réfrigérant

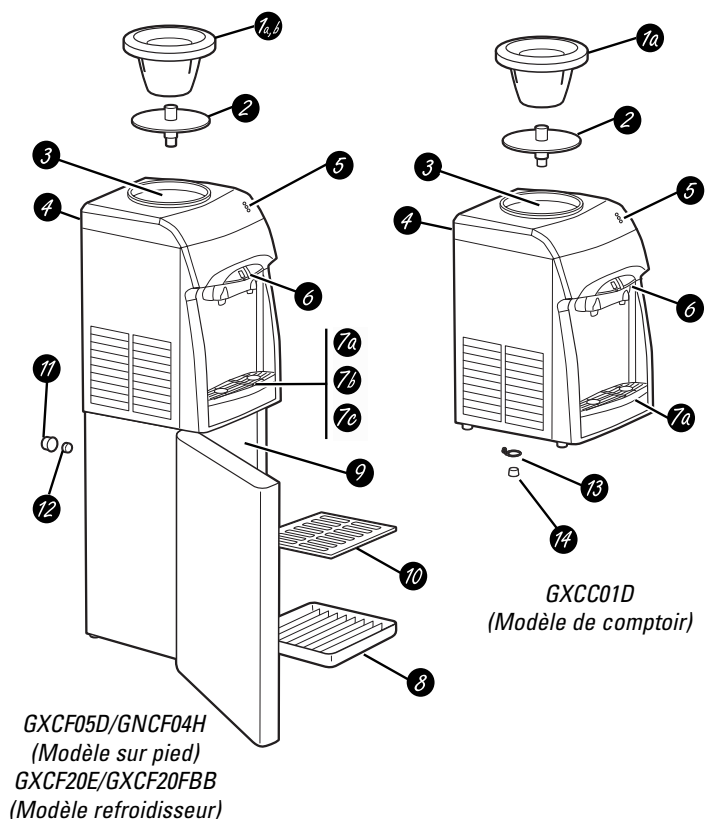
Votre ancien distributeur d'eau peut contenir un réfrigérant réglementaire dans son système de refroidissement. Ces réfrigérants sont jugés nocifs pour l'ozone stratosphérique. Si vous débarrassez de votre ancien distributeur, assurez-vous que le réfrigérant soit enlevé et récupéré par un technicien certifié par l'EPA. Si vous libérez intentionnellement ce réfrigérant, vous pouvez être soumis aux contraventions et à l'emprisonnement sous provisions des lois sur l'environnement.



LISEZ ET SUIVEZ SOIGNEUSEMENT CES MESURES DE SÉCURITÉ.

CONSERVEZ CES INSTRUCTIONS

Utilisation du distributeur d'eau.



GXCF05D/GNCF04H
(Modèle sur pied)
GXCF20E/GXCF20FBB
(Modèle refroidisseur)

GXCC01D
(Modèle de comptoir)

Caractéristiques et liste de pièces

- 7a Collier de soutien de bouteille (WS28X10047), gris pour les modèles GXCF05D, GNCF04H et GXCC01D
- 7b Collier de soutien de bouteille (WS28X10049), blanc pour le modèle GXCF20E, (WS28X10048) noir pour le modèle GXCF20FBB
- 2 Séparateur (WS28X10013)
- 3 Réservoir d'eau froide
- 4 Commutateurs de marche eau chaude (rouge) et eau froide (bleu) (arrière du distributeur). Le commutateur de marche Cold (bleu) met aussi en marche le compartiment refroidisseur (sur modèle GXCF20E).
- 5 Voyants lumineux. Le voyant vert s'allume quand le distributeur est branché. Le voyant rouge se allume et le voyant bleu s'éteint quand le distributeur réchauffe ou refroidit l'eau. Le démarrage du compresseur est retardé durant une période pouvant aller jusqu'à 3 minutes.
- 6 Boutons de distribution d'eau chaude (rouge) et froide (bleu)
- 7a Plateau de condensation du distributeur (WS28X10016) et grille (WS28X10015), gris pour les modèles GXCF05D, GNCF04H et GXCC01D
- 7b Plateau de condensation du distributeur (WS28X10026) et grille (WS28X10027), blanc pour le modèle GXCF20E
- 7c Plateau de condensation du distributeur (WS28X10031) et grille (WS28X10034), noir pour le modèle GXCF20FBB
- 8 Plateau de compartiment (GXCF20E/GXCF20FBB seulement) (WS29X10029)
- 9 Compartiment de rangement (GXCF05D et GNCF04H). N'utilisez jamais ce compartiment pour ranger des aliments qui doivent être réfrigérés. Ce compartiment n'est pas réfrigérée. Compartiment refroidisseur (GXCF20E). Ce compartiment ne doit être utilisé que pour refroidir des boissons en boîte ou en paquet et des aliments non-périssables emballés.
- 10 Étagère du compartiment (WS28X10028)
- 11 Capuchon de drainage (modèle sur pied et refroidisseur) (WS01X10008)
- 12 Bouchon en silicone (modèle sur pied et refroidisseur) (WS01X10007)
- 13 Bride de retenue (modèle de comptoir) (WS01X10010)
- 14 Couvercle de drain en caoutchouc (modèle de comptoir) (WS01X10011)

Chargement du distributeur

Désinfectez le réservoir d'eau avant de l'emplier pour la première fois (consultez "Nettoyage et désinfection des réservoirs d'eau").

IMPORTANT : Assurez-vous que le distributeur soit débranché et que les deux commutateurs de marche (eau chaude et eau froide, à l'arrière du distributeur, pour les modèles qui en sont dotés) soient en position **O (arrêt)** avant de le charger. Avant de le charger, essuyez le haut de la bouteille avec un linge propre et lavez-vous les mains. Évitez de toucher la partie de la bouteille qui sera en contact avec le distributeur d'eau.

Assurez-vous que le niveau de l'eau en haut du distributeur soit suffisamment bas pour permettre une bonne installation de la bouteille. Si vous ne le faites pas, vous risquez de provoquer un débordement du distributeur.

1. Pelez l'étiquette du couvercle situé en haut de la bouteille (s'il y a lieu). Ne retirez **pas** tout le capuchon de la bouteille.

2. Placez la bouteille en haut du distributeur comme l'indique la figure, en alignant la sonde du robinet distributeur au centre du bouchon de la bouteille d'eau. Pressez vers le bas jusqu'à ce que la sonde pénètre dans le bouchon de la bouteille, en permettant à la bouteille de reposer sur le col du soutien.

3. **IMPORTANT :** Appuyez sur les deux boutons du distributeur jusqu'à ce que de l'eau coule des deux robinets.

4. Branchez le distributeur.

5. Mettez les commutateurs de marche FROID et CHAUD (situés à l'arrière, du côté supérieur gauche du distributeur, pour les modèles qui en sont dotés) en position **I (marche)**.

6. Attendez 30 minutes que l'eau atteigne la température chaude et la température froide.

Appelez un distributeur local pour acheter vos bouteilles d'eau.



Sauvegarde pour la protection des enfants

Le bouton du distributeur CHAUD est muni qu'une sauvegarde pour la sécurité des enfants qui réduit le risque de distribution accidentelle d'eau chaude par de jeunes enfants. Pour utiliser ce bouton, faites glisser le commutateur vers le haut et appuyez sur le bouton.

Le distributeur réchauffe l'eau à une température d'environ 88 °C (190 °F). L'eau à une température supérieure à 52 °C (125 °F) peut occasionner des brûlures ou des blessures sérieuses par ébullition. Les enfants, les personnes handicapées et les personnes âgées courent le plus le risque d'être ébouillantés.

ATTENTION : Les enfants doivent être surveillés par un parent quand ils utilisent ce produit.

Entretien et nettoyage du distributeur.

Nettoyage de l'extérieur de l'armoire et de rangement du compartiment refroidisseur (sur certains modèles)

IMPORTANT : Mettez les deux commutateurs de marche (à l'arrière du distributeur) en position **0 (arrêt)** et débranchez le distributeur d'eau avant de le nettoyer.

Vous pouvez nettoyer l'armoire et le compartiment du distributeur avec de l'eau savonneuse. Rincez bien avec de l'eau pure. N'utilisez jamais de nettoyant commercial ou de poudre à récurer abrasive.

Enlevez la poussière du serpentin du condensateur à l'arrière de l'appareil à l'aide d'une brosse ou d'un aspirateur. Pour obtenir les résultats les meilleurs, utilisez une brosse spécialement conçue à cette fin. Vous la trouverez dans la plupart des magasins d'appareils électroménagers.



Nettoyage de l'intérieur du compartiment refroidisseur (GXCF20E/GXCF20FBB)

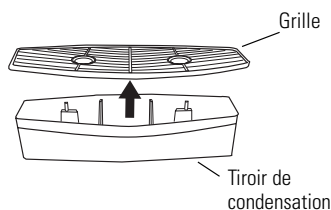
Pour aider à empêcher les odeurs, laissez une boîte de bicarbonate de soude ouverte dans le compartiment refroidisseur.

Débranchez le distributeur avant de nettoyer.

Utilisez une solution d'eau tiède et de bicarbonate de soude—environ une cuillère à soupe (15 ml) de bicarbonate de soude par litre d'eau. Cette solution nettoie tout en neutralisant les odeurs. Rincez et essuyez complètement.

Nettoyez de la même manière les autres parties du compartiment refroidisseur, y compris les joints et les pièces en matière plastique.

Ne nettoyez aucune pièce de refroidisseur en matière plastique dans la machine à laver la vaisselle.



Tiroir de condensation et grille

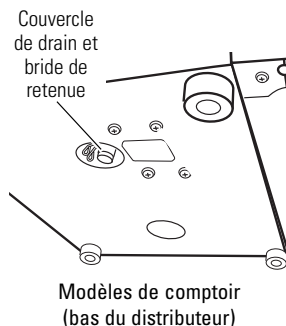
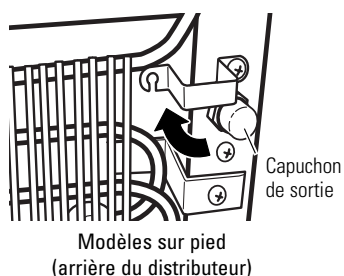
Le tiroir de condensation du distributeur ne se vide pas automatiquement. Pour réduire les taches dues à l'eau ou à des dépôts, vous devez vider, nettoyer et sécher régulièrement le tiroir et la grille.

Nettoyez à l'eau légèrement savonneuse ou dans la clayette supérieure de votre machine à laver la vaisselle.

Entretien et nettoyage du distributeur.

Vidange du distributeur

Vous devez vider le distributeur avant de nettoyer les réservoirs et avant de vous absenter pour de longues vacances ou une longue durée.



Modèles sur pied

1. Mettez les interrupteurs de marche (à l'arrière du distributeur) en position **0 (arrêt)** et débranchez le distributeur d'eau.
2. Enlevez la bouteille d'eau du distributeur.
3. Mettez le contenant qui recevra l'eau chaude sous le robinet d'eau chaude. **Appuyez sur le bouton du distributeur d'eau chaude jusqu'à ce que l'eau soit fraîche (environ 1 litre)**. Ajoutez de l'eau au réservoir d'eau froide (en haut de là où la bouteille fournit l'eau) si nécessaire.
4. Appuyez sur les deux boutons du distributeur et laissez couler l'eau jusqu'à ce qu'il n'y ait plus d'eau qui coule (environ 1 litre d'eau demeure dans le distributeur).
5. Placez un grand seau sous la sortie de vidange située à l'arrière du distributeur.
6. À l'aide d'un tournevis Phillips, desserrez les vis du support qui couvre le capuchon de sortie de vidange. Faites tourner les supports complètement pour avoir accès au capuchon.
7. Enlevez le capuchon et le bouchon de silicone de la sortie de vidange et permettez à l'eau de s'écouler. Après la vidange, **remettez en place le bouchon et le capuchon**.
8. Faites tourner le support afin de le remettre en place et resserrez les vis.

Assurez-vous d'installer une bouteille pleine et de faire couler l'eau du robinet d'eau chaude avant de brancher et de remettre en marche le distributeur (voir *Chargement du distributeur*).

Modèles de comptoir

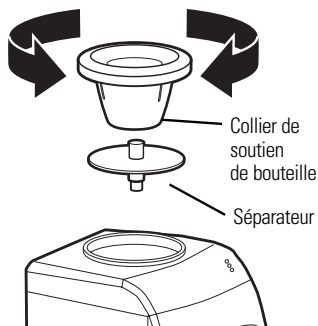
1. Mettez les interrupteurs de marche (à l'arrière du distributeur) en position **0 (arrêt)** et débranchez le distributeur d'eau.
2. Enlevez la bouteille d'eau du distributeur.
3. Mettez le contenant qui recevra l'eau chaude sous le robinet d'eau chaude. **Appuyez sur le bouton du distributeur d'eau chaude jusqu'à ce que l'eau soit fraîche (environ 1 litre)**. Ajoutez de l'eau au réservoir d'eau froide (en haut de là où la bouteille fournit l'eau) si nécessaire.
4. Appuyez sur les deux boutons du distributeur et laissez couler l'eau jusqu'à ce qu'il n'y ait plus d'eau qui coule (environ 1 litre d'eau demeure dans le distributeur).

AVERTISSEMENT : *Soulevez le distributeur avec précautions; il pèse environ 18 kg (40 lbs). Évitez de presser accidentellement sur les boutons du distributeur quand vous le soulevez ou le transportez.*

5. Placez le distributeur sur un évier avec 3 pieds sur le comptoir. Tenez bien ou bloquez le distributeur afin qu'il soit immobile quand vous enlevez la bride de retenue et le couvercle de vidange. Enlevez la bride de retenue et le couvercle de vidange de la sortie de vidange, en vous assurant de ne pas endommager le couvercle de vidange. Permettez à l'eau de s'écouler.
6. Après la vidange, **remettez en place le couvercle de vidange et la bride de retenue**.

Assurez-vous d'installer une bouteille pleine et de faire couler l'eau du robinet d'eau chaude avant de brancher et de remettre en marche le distributeur (voir *Chargement du distributeur*).

Enlèvement Remise en place



Nettoyage du séparateur

IMPORTANT : Mettez les deux commutateurs de marche (à l'arrière du distributeur) en position **O (arrêt)** et débranchez le distributeur d'eau avant tout nettoyage.


1. Enlevez la bouteille d'eau et videz le distributeur (consultez *Vidage du distributeur*).
2. Enlevez le collier de soutien en tournant **dans le sens opposé à celui des aiguilles d'une montre** et en tirant droit.
3. Enlevez le séparateur en matière plastique en tirant droit (vous avez peut-être besoin de tordre légèrement pour dégager).
4. Nettoyez le séparateur avec de l'eau savonneuse ou dans le lave-vaisselle, sur le panier supérieur.

5. Faites bien sécher le haut et le bas du séparateur.
6. À l'aide d'un linge propre ou d'un essuie-tout, séchez le réservoir d'eau froide à fond.
7. Remettez le séparateur en place dans le distributeur. Assurez-vous que l'extrémité allongée et amincie du séparateur soit insérée fermement dans la prise métallique située en bas du réservoir.
8. Remettez en place le collier de soutien et tournez **dans le sens des aiguilles d'une montre** jusqu'à ce qu'il soit bien fixé en place.
9. Remettez en place la bouteille d'eau (consultez *Chargement du distributeur*).

Désinfection et nettoyage des réservoirs d'eau

IMPORTANT : Vous devez désinfecter périodiquement les réservoirs du distributeur d'eau pour empêcher toute accumulation de dépôts minéraux qui peuvent changer le goût et le débit de l'eau.

Pour désinfecter :

1. Avant de désinfecter, mettez les deux commutateurs de marche (à l'arrière du distributeur) en position **O (arrêt)** et **débranchez le distributeur d'eau**.
NOTE : Pour la première installation, sautez les étapes 2-4.

Position **ARRÊT**
2. Videz la bouteille d'eau, puis retirez-la du distributeur.
3. Videz les réservoirs d'eau (voir *Vidage du distributeur*).
4. **Remettez en place le bouchon de silicone et le capuchon de drain (modèles sur pied), ou le couvercle de drain et la bride de retenue (modèles de comptoir)** (voir *Vidage du distributeur*).
5. **N'AJOUTEZ PAS L'EAU DE JAVEL EN PREMIER OU DIRECTEMENT DANS LE DISTRIBUTEUR. L'eau de Javel concentrée risque d'endommager le plastique.**
Versez 1/2 cuillère à thé (2,5 ml) d'eau de Javel domestique (concentration 6,0 % maximum) dans une cruche de 2 litres remplie d'eau du robinet.
6. Versez la solution dans l'ouverture située sur le dessus du distributeur.
7. Répétez les étapes 5 et 6 jusqu'à ce que le distributeur soit plein.
8. Appuyez sur les boutons de distribution d'eau chaude et froide jusqu'à ce que l'eau coule des deux robinets.
9. Laissez la solution agir pendant 15 à 20 minutes.
10. **Rinçage de la solution d'eau de Javel :**
 - Videz le contenu des réservoirs d'eau dans un grand seau (modèle sur pied) ou évier (modèle de comptoir) (voir *Vidage du distributeur*).
 - Assurez-vous que le bouchon en silicone (modèles sur pied) ou le couvercle de drain (modèles de comptoir) ne soit **PAS** en place.

— **IMPORTANT :** Enlevez le séparateur et nettoyez le réservoir d'eau froide (voir *Nettoyage du séparateur*).

— Nettoyez, puis remettez en place le séparateur et le collier de soutien (voir *Nettoyage du séparateur*).

— Versez approximativement 1 gallon (4 litres) d'eau du robinet dans l'ouverture du dessus, puis laissez l'eau s'écouler dans le seau (modèle sur pied) ou évier (modèle de comptoir).

— Versez un autre gallon (4 litres) d'eau du robinet dans l'ouverture du dessus, puis laissez l'eau s'écouler dans le seau (modèle sur pied) ou évier (modèle de comptoir).

11. **Remettez en place le bouchon de silicone et le capuchon de drain (modèles sur pied), ou le couvercle de drain et la bride de retenue (modèles de comptoir)** (voir *Vidage du distributeur*).

12. Mettez en place une bouteille d'eau fraîche (voir *Chargement du distributeur*).

13. **Laissez écouler 1 litre d'eau à travers chaque robinet** et goûtez-y afin de vérifier que la solution d'eau de Javel a complètement été évacuée.

Si l'eau goûte toujours le chlore de la solution d'eau de Javel, répétez les étapes 10 à 13 jusqu'à ne plus percevoir ce goût.

14. Branchez le distributeur. Mettez les commutateurs de marche eau chaude et eau froide (à l'arrière du distributeur) en position **I (marche)**.



Position **MARCHE**

Pour enlever les dépôts minéraux :

Mélangez 2 litres d'eau avec deux litres de vinaigre; **OU** mélangez 4 litres d'eau avec 454 grammes de cristaux d'acide citrique. L'eau de Javel n'enlève pas les dépôts minéraux. Appliquez cette procédure à l'étape 5 lorsque vous voulez enlever les dépôts minéraux.

Entretien et nettoyage du distributeur.

Dégivrage (modèle refroidisseur GXCF20E/GXCF20FBB)

Dégivrez chaque fois que le givre sur la paroi du compartiment refroidisseur devient excessive. **N'utilisez jamais d'instrument aiguisé ou métallique pour enlever le givre, car vous risquez d'endommager les conduites.**

Nous vous recommandons d'utiliser un grattoir en matière plastique. N'utilisez jamais un appareil électrique pour dégivrer le compartiment refroidisseur.

Pour dégivrer :

- Enlevez les aliments du compartiment.
- Mettez le commutateur de marche Cold (bleu) en position OFF (arrêt) et débranchez le distributeur.
- Mettez plusieurs serviettes en bas du compartiment, pour recueillir l'eau.

Le dégivrage prend généralement quelques heures. Pour dégivrer plus rapidement, laissez la porte ouverte.

Après avoir dégivré :

- Enlevez les serviettes mouillées et essuyez complètement toute eau restante.
- Essuyez le compartiment avec un linge sec.
- Branchez l'appareil et mettez le commutateur de marche Cold (bleu) en position ON (marche). Remettez les aliments dans l'appareil.

Préparation au départ en vacances

Quand vous partez en vacances ou vous absentez pendant longtemps, mettez les deux commutateurs de marche (à l'arrière du distributeur) en position **O (arrêt)**.

1. Débranchez le distributeur d'eau.
2. Enlevez la bouteille d'eau.
3. Videz les réservoirs d'eau (voir *Vidage du distributeur*).

4. Faites bien sécher le haut et le bas du séparateur (voir *Nettoyage du séparateur*).

5. Laissez la porte du compartiment refroidisseur ouverte (sur certains modèles).

De retour de vacances, assurez-vous de désinfecter les réservoirs d'eau avant d'utiliser le distributeur (voir *Nettoyage et désinfection des réservoirs d'eau*).

Caractéristiques techniques

Taux de refroidissement : environ 2 litres (0,5 gallons) par heure

Taux de réchauffement : environ 3 litres (0,8 gallons) par heure

Capacité : bouteille de 15 ou 20 litres (3 ou 5 gallons)

Consommation de courant : Réchauffement : 480 watts max.
Refroidissement : 125 watts max.

Conseils de dépannage.

Problème	Cause possible	Que faire
L'eau a un mauvais goût ou une mauvaise odeur	Le séparateur doit être nettoyé.	• Consultez <i>Nettoyage Nettoyage du séparateur</i> .
	Le distributeur doit être désinfecté.	• Consultez <i>Nettoyage et désinfection des réservoirs d'eau</i> .
L'eau n'est pas suffisamment chaude ou froide	Le distributeur n'est pas branché.	• Poussez complètement la fiche dans la prise murale.
	Le fusible a sauté ou le disjoncteur a basculé.	• Remplacez le fusible de la maison ou rebranchez le disjoncteur de la maison. • Si trop d'articles sont branchés sur le même circuit, enlevez quelques articles pour les brancher à un circuit différent.
	Toute l'eau des réservoirs a été utilisée.	• Attendez 30 minutes que l'eau se réchauffe ou se refroidisse.
Le limiteur de température s'est déclenché.		• Mettez les commutateurs d'eau chaude et d'eau froide (à l'arrière du distributeur) en position O (arrêt) . Attendez 5 minutes, puis mettez les commutateurs en position I (marche) . Attendez 30 minutes que l'eau se refroidisse ou se réchauffe.
Le distributeur d'eau ne fonctionne pas – L'eau ne coule pas	La bouteille d'eau est vide.	• Remplacez-la par une nouvelle bouteille d'eau.
	Des dépôts de minéraux bouchent les réservoirs.	• Consultez <i>Entretien et nettoyage</i> .
L'eau ne coule pas quand vous appuyez sur le bouton d'eau froide	La porte du refroidisseur d'eau est ouverte.	• Fermez la porte du refroidisseur d'eau.
	De la glace empêche l'eau de passer.	• Débranchez le commutateur du refroidisseur pendant la nuit et rebranchez-le le matin.
La bouteille est chaude	Le système d'eau est trop plein. L'eau bout dans le réservoir d'eau chaude et bouillonne dans la bouteille.	• Dispensez de l'eau froide jusqu'à ce que l'air est relâché dans la bouteille.
Le distributeur d'eau coule à l'extérieur	Il y a un trou d'épingle ou une fente dans la bouteille.	• Remplacez par une nouvelle bouteille d'eau.

Problème	Cause possible	Que faire
Le compresseur ne démarre pas lorsque le voyant bleu de l'interrupteur d'eau froide est allumé	Opération normale—Le démarrage du compresseur est retardé durant une période pouvant aller jusqu'à 3 minutes afin de prolonger la durée de vie du compresseur.	<ul style="list-style-type: none"> • Patientez jusqu'à 3 minutes pour permettre au compresseur de démarrer.
Le distributeur d'eau fait du bruit	<p>Le distributeur d'eau n'est pas bien à niveau.</p> <p>La bouteille fait un glou-glou quand l'eau remplit les réservoirs.</p> <p>Son d'eau chaude qui bout.</p> <p>Le distributeur ou la bouteille d'eau vibre lorsque le système de refroidissement termine son cycle.</p>	<ul style="list-style-type: none"> • Assurez-vous que le distributeur d'eau soit bien installé sur un plancher horizontal suffisamment fort pour le soutenir quand il est plein. • Ce bruit est normal. • Ce bruit est normal. • C'est normal.
Particules qui flottent dans l'eau	L'eau contient beaucoup de minéraux.	<ul style="list-style-type: none"> • Trouvez une source d'eau moins dure.
Une mauvaise odeur dans l'air autour du distributeur	Le réservoir d'eau chaude est vide ou pas complètement plein.	<ul style="list-style-type: none"> • Appuyez sur le bouton de distribution d'eau chaude jusqu'à ce que l'eau coule pour ôter l'air du réservoir d'eau chaude.
Le compartiment refroidisseur ne fonctionne pas (modèles refroidisseurs seulement)	<p>L'appareil n'est pas en marche.</p> <p>Le distributeur d'eau n'est pas branché.</p> <p>Le fusible a sauté/le disjoncteur a basculé.</p>	<ul style="list-style-type: none"> • Mettez le commutateur de marche Cold (bleu) en position ON (marche). • Poussez la fiche complètement dans la prise. • Remplacez le fusible ou rebranchez le disjoncteur.
Il se produit des vibrations ou un bruit de crécelle (des vibrations légères sont normales)	Le distributeur d'eau se trouve sur une surface inégale.	<ul style="list-style-type: none"> • Utilisez des cales pour bien mettre l'appareil à l'horizontale.
Le compresseur/moteur fonctionne (la lumière bleue marche) pendant des périodes ou des cycles longs (modèles avec compartiment refroidisseur uniquement)	<p>Cela se produit souvent quand de grandes quantités d'aliments sont placées dans le compartiment refroidisseur.</p> <p>La porte est restée ouverte.</p> <p>L'eau est chaude ou vous ouvrez souvent la porte.</p>	<ul style="list-style-type: none"> • C'est normal. • Assurez-vous qu'un paquet ne bloque pas la fermeture de la porte. • C'est normal.
Le compresseur/moteur fonctionne (la lumière bleue marche) pendant des périodes ou des cycles longs (tous modèles)	<p>C'est normal quand vous venez de brancher l'appareil.</p> <p>L'appareil n'est pas placé suffisamment loin du mur.</p> <p>Le système d'eau est trop plein.</p>	<ul style="list-style-type: none"> • Attendez 24 heures que l'appareil soit complètement refroidi. • Assurez-vous qu'il y ait suffisamment de circulation d'air autour de l'appareil. • Dispensez de l'eau de robinet froid jusqu'à ce que l'air est relâché dans la bouteille.
Le compartiment refroidisseur est trop chaud (modèles refroidisseurs seulement)	La porte est restée ouverte.	<ul style="list-style-type: none"> • Assurez-vous qu'un paquet ne bloque pas la fermeture de la porte.
Compartiment/eau froide trop froide/gel	Température ambiante basse.	<ul style="list-style-type: none"> • Placez l'appareil dans un environnement où la température ambiante est normale.
Le compartiment refroidisseur a des odeurs (modèles refroidisseurs seulement)	<p>Les aliments transmettent de l'odeur au compartiment refroidisseur.</p> <p>Vous devez nettoyer l'intérieur.</p>	<ul style="list-style-type: none"> • Vous devez bien emballer les aliments qui ont des odeurs fortes. • Conservez une boîte ouverte de bicarbonate de soude dans l'appareil; remplacez-la tous les trois mois. • Consultez <i>Soins et nettoyage</i>.
Il se forme de l'humidité à l'extérieur (modèles refroidisseurs seulement)	Ce n'est pas anormal pendant des périodes de haute température et/ou haute humidité.	<ul style="list-style-type: none"> • Essuyez bien la surface. • Faites fonctionner l'appareil dans des emplacements où la température et l'humidité sont contrôlées. • Placez l'appareil dans un plateau pour recueillir l'accumulation d'humidité.
Il se forme de l'humidité à l'intérieur du compartiment refroidisseur (quand il fait humide, l'air transporté de l'humidité dans le compartiment refroidisseur quand vous ouvrez la porte) (modèles refroidisseurs seulement)	Vous ouvrez la porte trop fréquemment ou trop longtemps.	<ul style="list-style-type: none"> • Diminuez le temps d'ouverture de la porte. • Essuyez bien la surface. • Videz le plateau de condensation intérieur. • Faites fonctionner l'appareil dans des emplacements où la température et l'humidité sont contrôlées. • Placez l'appareil dans un plateau pour recueillir l'accumulation d'humidité.

Soutien au consommateur



Site Internet GE Appliances

www.electromenagersge.ca

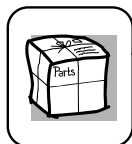
Avez-vous une question ou besoin d'aide concernant votre appareil électroménager? Essayez le site internet de GE Appliances, 24 heures par jour, 365 jours par an. Pour plus de confort et de rapidité vous pouvez maintenant y extraire les manuels d'utilisation, et même commander des pièces et des catalogues. Vous pouvez également poser vos questions à notre "demandez à notre équipe d'Experts" et beaucoup d'autres choses...



Studio de Design pour la Vraie Vie

www.electromenagersge.ca

GE agit activement en faveur du concept de Design Universel—des produits, services et environnements qui peuvent être utilisés par des personnes de tout âge, taille et capacité. Nous reconnaissons le besoin de concevoir des produits adaptés à un grand nombre de handicaps physiques et mentaux. Pour obtenir des détails sur les applications du Design Universel de GE, qui comprend des idées d'agencement de cuisine pour des personnes handicapées, consultez dès à présent notre site internet. Pour les personnes mal-entendantes, merci d'appeler le numéro : 800.TDD.GEAC (800.833.4322).



Pièces et accessoires

www.electromenagersge.ca

Les personnes peuvent recevoir directement à la maison des pièces (les cartes VISA, MasterCard ou Discover sont acceptées). Commandez en ligne à tout moment, 24 heures par jour ou par téléphone au numéro 800.626.2002, aux États-Unis, pendant les horaires de bureau habituels. Au Canada, appelez au numéro 800.663.6060.

Les directives stipulées dans le présent manuel comportent des procédures que n'importe quel utilisateur peut effectuer. GE n'est en faveur d'aucune réparation ou entretien pour le distributeur. Nous vous recommandons fortement de ne pas essayer d'assurer vous-même les réparations ou l'entretien de votre distributeur.



Contactez nous

www.electromenagersge.ca

Si vous n'êtes pas satisfait du Service Après Vente dont vous avez bénéficié de GE, contactez nous sur notre site en fournissant tous les détails, y compris votre numéro de téléphone, ou écrivez au : Manager, Customer Relations, GE Appliances, Appliance Park, Louisville, KY 40225.

GARANTIE LIMITÉE D'UNE ANNÉE

- **Que couvre la garantie?**
 - Tout défaut de matériel ou de main d'oeuvre du produit.
- **Q'est-ce qui n'est pas couvert par la garantie?**
 - Les bouteilles d'eau.
 - Les déplacements à votre domicile pour vous enseigner comment utiliser le produit.
 - Une installation, remise ou entretien incorrecte.
 - Une panne du produit causée par un abus d'utilisation, une mauvaise utilisation, toute modification, exploitation commerciale ou une utilisation du produit dans un but non prévu.
 - Tout produit qui est utilisé en dehors d'une résidence ou d'un bureau.
 - Le remplacement des fusibles ou des disjoncteurs de la résidence.
 - Utilisation de ce produit lorsque l'eau est microbiologiquement impure ou de qualité inconnue.
 - Dommage au produit si vous l'utilisez pour distribuer autre chose que de l'eau.
 - Tout dommage causé au produit par accident, incendie, inondation ou acte de Dieu.
 - Tout service au produit.
 - **Tout dommage fortuit ou indirect causé par des défauts éventuels de cet appareil, son installation ou les réparations effectuées.**

- **Quelle est la durée de la garantie après l'achat?**
 - Une année.
- **Comment dois-je faire ma réclamation?**
 - Ramenez le produit au magasin où vous l'avez acheté avec un exemplaire de la "Preuve d'achat." Une unité neuve ou remise à neuf sera fournie. Cette garantie exclut les frais d'expédition du produit à votre domicile.

EXCLUSION DE GARANTIES IMPLICITES—Votre seul et unique recours est l'échange du produit selon les dispositions de cette Garantie limitée. Toutes les garanties implicites, incluant les garanties de commercialité et d'adéquation à un usage spécifique, sont limitées à une année ou à la période la plus courte autorisée par la législation.

Cette garantie couvre l'acheteur original et tout propriétaire subséquent des produits achetés à des fins résidentielles ou de bureau à l'intérieur des États-Unis. En Alaska, cette garantie exclut le coût d'expédition ou les appels de service à votre maison ou bureau.

Certains États ne permettent pas l'exclusion ou la restriction des dommages accessoires ou consécutifs. Cette garantie vous donne des droits juridiques particuliers, mais vous pouvez également avoir d'autres droits qui varient d'État à État. Pour connaître vos droits juridiques, consultez le bureau de protection du consommateur de votre localité, de votre État ou le procureur général de votre État.

Contactez nous sur ge.com, ou appelez le numéro sans frais 800.952.5039 aux États-Unis. Au Canada, contactez nous sur www.electromenagersge.ca, ou appelez le numéro sans frais 866.777.7627.

Garant : General Electric Company, Louisville, KY 40225.

INFORMACIONES DE SEGURIDAD IMPORTANTES. LEA TODAS LAS INSTRUCCIONES ANTES DE USAR.

⚠ ¡ADVERTENCIA!

Use este aparato solamente con el propósito para el cual fue fabricado de acuerdo a como se describe en este Manual del Propietario.



PRECAUCIONES DE SEGURIDAD

Cuando use aparatos, usted debe tomar ciertas precauciones de seguridad, incluyendo las siguientes:

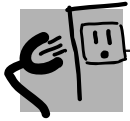
- Este dispensador de agua debe ser instalado apropiadamente y localizado de acuerdo con estas instrucciones antes de ser usado.
- No permita que los niños se trepen, paren o cuelguen de la parte externa del dispensador, o en los estantes en el interior del gabinete de almacenamiento (en algunos modelos). Esto podría hacer que el dispensador se voltee y se dañe o cause lesiones serias a los niños.
- No almacene o use gasolina ni otros vapores o líquidos inflamables próximo a este u otro aparato.
- Desconecte el dispensador de agua antes de limpiarlo o hacerle cualquier reparación.
NOTA: GE no proporciona servicio para el dispensador. Recomendamos que no intente proporcionar servicio al dispensador usted mismo.
- No use este dispensador de agua para dispensar ninguna otra cosa que no sea agua.
- No conecte el cable eléctrico ni accione los interruptores eléctricos cuando el dispensador de agua está vacío.
- Limpie cualquier derrame de agua inmediatamente después de haber llenado o vaciado botellas de agua.
- Los niños deben ser supervisados por uno de los padres cuando se disponga a usar este producto.
- **ADVERTENCIA:** No use con agua que sea microbiológicamente insegura o de calidad desconocida.
- **PRECAUCIÓN:** El dispensador calienta agua a una temperatura de aproximadamente 90 °C (194 °F). El agua a temperaturas mayores de 52 °C (125 °F) puede causar quemaduras severas y hasta la muerte debido a las quemaduras. Los niños, las personas con incapacidades físicas y los ancianos tienen un riesgo mayor de sufrir quemaduras.
- **AVISO:** Este producto tiene la intención de ser usado solamente en bebidas enlatadas refrigeradas y en bebidas en cajas, además de productos sin expiración empacados.



INSTALACIÓN APROPIADA Y LOCALIZACIÓN

- Permita por lo menos 2,5 cm (1 pulg.) de espacio entre la parte posterior del dispensador de agua y la pared, para permitir que el aire circule.
- No instale el dispensador de agua donde la temperatura esté por debajo de 10 °C (50 °F) o por encima de 38 °C (100 °F).
- Instale el dispensador de agua en un piso o encimera nivelado lo suficientemente resistente para resistir su peso cuando esté totalmente lleno. No instale donde esté sujeto a la luz directa del sol, calor o humedad.

INFORMACIONES DE SEGURIDAD IMPORTANTES. LEA TODAS LAS INSTRUCCIONES ANTES DE USAR.



INSTRUCCIONES PARA CONEXIÓN A TIERRA

ADVERTENCIA: *El uso inapropiado de un enchufe que no esté conectado a tierra apropiadamente podría resultar en riesgos de descargas eléctricas.*

Este aparato debe estar conectado a tierra. En el caso de que ocurra un corto circuito, la conexión a tierra reduce el riesgo de descarga eléctrica.

Este aparato está equipado con un cable eléctrico que tiene un enchufe que cuenta con un cable para ser conectado a tierra. El enchufe debe estar conectado a un enchufe que esté instalado apropiadamente y que esté conectado a tierra.

Consulte a un electricista calificado si usted no entiende las instrucciones de conexión a tierra, o si existe alguna duda de si el aparato está conectado apropiadamente a tierra.

Si el enchufe es uno estándar de dos clavijas, es su responsabilidad personal y obligación hacer que sea reemplazado con un enchufe de 3 clavijas con conexión a tierra.

Bajo ninguna circunstancia corte o remueva la tercer clavija (la de conexión a tierra) del cable eléctrico.

No utilizar un adaptador con este aparato.

No utilizar un cable de extensión con este aparato. Si el cable eléctrico del aparato es muy corto, haga que un electricista calificado instale un tomacorriente cerca del aparato.

Para obtener una mejor operación, enchufe este aparato en su tomacorriente propio para evitar que las luces parpadeen, que se queme un fusible o que se dispare un interruptor de circuito.

CÓMO ELIMINAR SU DISPENSADOR DE AGUA DE FORMA APROPIADA

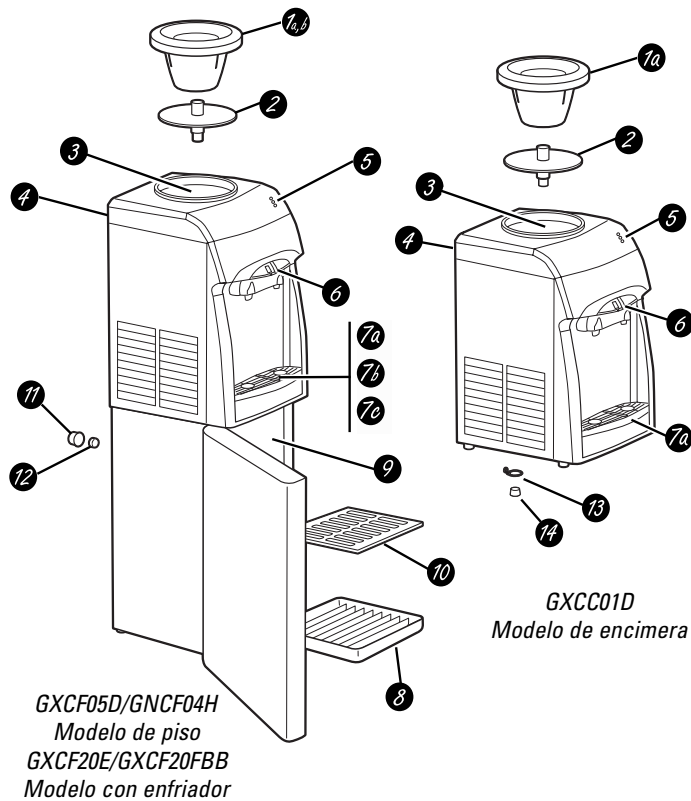
Deshacerse del refrigerante

Su antiguo dispensador de agua puede haber usado un refrigerante regulado en su sistema de enfriamiento. Estos refrigerantes son nocivos para el ozono estratosférico. Si se deshace del antiguo dispensador, asegúrese de que se deshaga del refrigerante correctamente por un técnico certificado EPA. Si se libera a propósito el refrigerante puede estar sujeto a las multas y al encarcelamiento bajo las estipulaciones de la legislación ambiental.



***LEA Y SIGA CUIDADOSAMENTE LA INFORMACIÓN DE SEGURIDAD.
CONSERVE ESTAS INSTRUCCIONES***

Cómo utilizar el dispensador de agua.



Lista de partes y características

- 1a Collar de apoyo de la botella (WS28X10047), gris para modelos GXCF05D, GNCF04H y GXCC01D
- 1b Collar de apoyo de la botella (WS28X10049), blanco para modelo GXCF20E, (WS28X10048) negro para modelo GXCF20FBB
- 2 Separador (WS28X10013)
- 3 Tanque de agua fría
- 4 Interruptores para agua Fría (azul) y Caliente (rojo) (en la parte posterior del dispensador). El interruptor de potencia Cold (frío) (azul) también enciende el compartimento frío (en modelo GXCF20E).
- 5 Luces indicadoras. La luz verde estará encendida cuando el dispensador esté conectado. Las luces roja y azul harán un ciclo de encendido y apagado mientras el dispensador calienta o enfría el agua. El inicio del compresor será dilatado por hasta 3 minutos.
- 6 Botones para suministrar agua Caliente (rojo) y Fría (azul)
- 7a Bandeja de goteo dispensadora (WS28X10016) y Parrilla (WS28X10015), gris para modelos GXCF05D, GNCF04H y GXCC01D
- 7b Bandeja de goteo dispensadora (WS28X10026) y Parrilla (WS28X10027), blanco para modelo GXCF20E
- 7c Bandeja de goteo dispensadora (WS28X10031) y Parrilla (WS28X10034) Negro para modelos GXCF20FBB
- 8 Bandeja de compartimento (GXCF20E/GXCF20FBB solamente) (WS29X10029)
- 9 Compartimento de almacenamiento (GXCF05D y GNCF04H). No utilice para almacenar alimentos que requieran refrigeración. El compartimento no es un refrigerador. **Compartimento frío (GXCF20E).** El compartimento tiene la intención exclusiva de ser usado en bebidas enlatadas refrigeradas y en bebidas en cajas, además de productos sin expiración empacados.
- 10 Estante de compartimento (WS28X10028)
- 11 Tapa de drenaje (modelos de piso y con enfriador) (WS01X10008)
- 12 Tapón de silicona (modelos de piso y con enfriador) (WS01X10007)
- 13 Gancho retenedor (modelos de encimera) (WS01X10010)
- 14 Tapa de drenaje de caucho (modelos de encimera) (WS01X10011)

Cómo cargar el dispensador



Desinfecte los tanques de agua del dispensador antes de cargar el dispensador la primera vez (ver "Cómo limpiar y desinfectar los tanques de agua").

IMPORTANTE: Cerciórese de que el dispensador esté desconectado con ambos interruptores de agua fría y de agua caliente (en la parte posterior del dispensador, en modelos que dispongan de esta característica) en la posición **0** (apagado). Antes de colocar la botella de agua en el dispensador, lávese las manos y limpie la parte superior de la botella que estará en contacto con el dispensador de agua.

Cerciórese de que el nivel del agua en la parte superior del dispensador es lo suficientemente baja para permitir que la botella pueda ser instalada apropiadamente. No hacerlo podría causar que haya un derrame en el dispensador.

1. Pele la etiqueta de la cubierta superior de la botella (si dispone de ella). **No** remueva toda la tapa de la botella.

2. Coloque la botella encima del dispensador; tal y como se muestra. Alinee la sonda de la válvula de dispensación con el centro de la tapa de la botella de agua. Presione hacia abajo hasta que la sonda penetre en la tapa de la botella, permitiendo que la botella se coloque sobre la abrazadera de apoyo.

3. **IMPORTANTE: Presione ambos botones de dispensación hasta que salga agua por ambos grifos.**

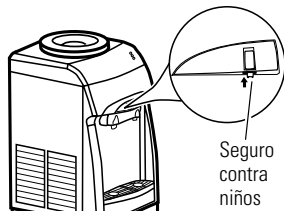
4. Enchufe el dispensador.

5. Coloque los interruptores de agua FRÍA y CALIENTE (ubicados en la parte superior izquierda detrás del dispensador, en modelos que dispongan de esta característica) en la posición **I** (encendido).

6. Deje que transcurran 30 minutos para que el agua alcance las temperaturas caliente y fría.

Póngase en contacto con un distribuidor de botellas de agua local para comprar las botellas.

Cómo utilizar el dispensador de agua.



Seguro contra niños

El botón CALIENTE del dispensador está equipado con un seguro contra niños que reduce el riesgo de que un niño suministre agua caliente accidentalmente. Para usar el botón, deslice el interruptor hacia arriba y presiónelo.

El dispensador calienta agua a una temperatura de aproximadamente 88 °C (190 °F). El agua a temperaturas mayores de

52 °C (125 °F) puede causar quemaduras severas y hasta la muerte debido a las quemaduras. Los niños, las personas con incapacidades físicas y los ancianos tienen un riesgo mayor de sufrir quemaduras.

PRECAUCIÓN: Los niños deben ser supervisados por uno de los padres cuando se disponga a usar este producto.

Cuidado y limpieza del dispensador.

Cómo limpiar el gabinete exterior y el compartimiento frío de almacenamiento (en algunos modelos)

IMPORTANTE: Coloque ambos interruptores eléctricos (en la parte posterior del dispensador) en la posición **0** (apagado) y desconecte el dispensador de agua antes de limpiar.

El gabinete y el compartimiento del dispensador pueden ser lavar con jabón suave y agua. Lave bien con agua limpia. Nunca use limpiadores comerciales o polvos pulidores abrasivos.

Pase un paño o limpie con una aspiradora cualquier polvo de las bovinas del condensador en la parte posterior de la unidad. Para mejores resultados, use un cepillo especialmente diseñado para este propósito. Estos están disponibles en la mayoría de las tiendas de aparatos.



Cómo limpiar el interior del compartimiento frío (GXCF20E/GXCF20FBB)

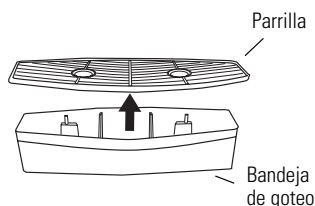
Para ayudar a evitar olores, deje una caja abierta de bicarbonato de soda en el compartimiento frío.

Desconecte el dispensador antes de limpiar.

Use una solución de agua tibia y bicarbonato de soda: alrededor de una cucharada (15 ml) de bicarbonato de soda y un cuarto (1 litro) de agua. Esto limpia y neutraliza los olores. Enjuague y limpie hasta secar.

Limpie otras partes del compartimiento frío, incluyendo los empaques de la puerta y todas las partes plásticas de la misma forma.

No lave ninguna parte plástica del enfriador en la lavadora de platos.



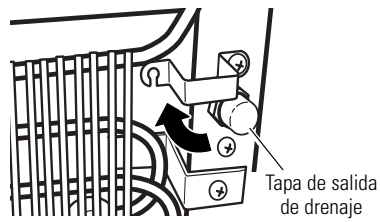
Cómo limpiar la bandeja de goteo y parrilla

La bandeja de goteo del dispensador no drena automáticamente. Para reducir el goteo de agua, la bandeja y su parrilla deben ser vaciadas, limpiadas y secadas de manera regular.

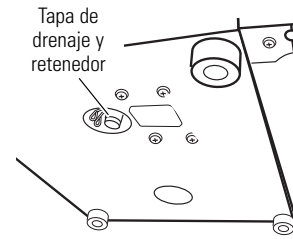
Limpie con un jabón suave o en el estante superior de un lavaplatos.

Cómo drenar el dispensador

El dispensador debería ser drenado antes de limpiar los tanques y antes de salir a una vacaciones largas o ausencias.



Modelos de piso
(parte posterior
del dispensador)



Modelos de encimera
(fondo del dispensador)

Modelos de piso

1. Coloque ambos interruptores eléctricos (en la parte posterior del dispensador) en la posición **O (apagado)** y desconecte el dispensador de agua.
2. Retire la botella de agua del dispensador.
3. Coloque un contenedor que resista agua caliente debajo del grifo de agua caliente. **Presione el botón dispensador de agua caliente hasta que el agua se enfríe (cerca de un cuarto)**. Agregue agua al depósito de agua fría (en la parte de arriba donde la botella suministra el agua) según sea necesario.
4. Dispense agua de ambos botones en el contenedor(es) hasta que no se dispense más agua (cerca de un cuarto de agua permanece todavía en el dispensador).
5. Coloque una cubeta grande debajo de la salida de drenaje en la parte posterior del dispensador.
6. Usando un destornillador de estrella, afloje los tornillos en el soporte que cubre la tapa de salida del drenaje. Rote el soporte hasta que esté fuera del camino para permitir el fácil acceso hacia la tapa.
7. Retire la tapa y el tapón de silicona de la salida de drenaje y permita que el agua se drene. Después del drenaje, **reemplace el tapón y la tapa**.
8. Rote el soporte de nuevo en su lugar y apriete los tornillos. Cerciérese de instalar una botella completa y dispense agua desde el grifo de agua caliente antes de conectar y encender el dispensador (ver *Cómo cargar el dispensador*).

Modelos de encimera

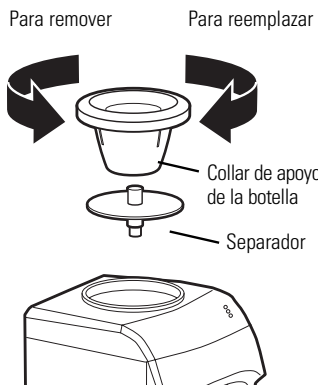
1. Coloque ambos interruptores eléctricos (en la parte posterior del dispensador) en la posición **O (apagado)** y desconecte el dispensador de agua.
2. Retire la botella de agua del dispensador.
3. Coloque un contenedor que resista agua caliente debajo del grifo de agua caliente. **Presione el botón dispensador de agua caliente hasta que el agua se enfríe (cerca de un cuarto)**. Agregue agua al depósito de agua fría (en la parte de arriba donde la botella suministra el agua) según sea necesario.
4. Dispense agua de ambos botones en el contenedor(es) hasta que no se dispense más agua (cerca de un cuarto de agua permanece todavía en el dispensador).

ADVERTENCIA: Levante el dispensador cuidadosamente. Pesa aproximadamente 40 libras o 18 kilos. Evite presionar los botones del dispensador accidentalmente mientras se levanta o se carga.

5. Coloque el dispensador sobre el lavaplatos con 3 pies en la encimera. Sostenga y asegure el dispensador firmemente mientras retira el gancho retenedor y la tapa de drenaje. Retire el gancho retenedor y la tapa de drenaje de la salida de drenaje, cerciorándose de no dañar la tapa de drenaje. Permita que el agua se drene.
6. Después de drenar, **reemplace la tapa de drenaje y el gancho retenedor**.

Cerciérese de instalar una botella completa y dispense agua desde el grifo de agua caliente antes de conectar y encender el dispensador (ver *Cómo cargar el dispensador*).

Cómo limpiar el separador



IMPORTANTE: Coloque ambos interruptores eléctricos (en la parte posterior del dispensador) en la posición **O (apagado)** y desconecte el dispensador de agua antes de limpiarlo.

1. Remueva la botella de agua y drene el dispensador (ver *Cómo drenar el dispensador*).
2. Remueva el collar de soporte girando **en sentido contrario a las agujas del reloj** y tirando de él directamente hacia afuera.
3. Remueva el separador plástico tirando hacia afuera (es posible que tenga que doblarlo ligeramente para aflojarlo).
4. Limpie el separador con un jabón de platos y agua o en la bandeja superior del lavaplatos.


5. Seque el separador completamente tanto en la parte superior como en la parte inferior.
6. Con un paño limpio o toalla de papel, seque completamente el tanque de agua fría.
7. Coloque el separador otra vez en el dispensador. Cerciérese de que el extremo largo, afilado del separador se coloque firmemente en el tapón metálico en el fondo del tanque.
8. Reemplace el collar de soporte y gire **en sentido de las agujas del reloj** hasta quedar firmemente colocado en su lugar.
9. Reemplace la botella de agua (ver *Cómo cargar el dispensador*).

Cuidado y limpieza del dispensador.

Cómo desinfectar y limpiar los tanques de agua

IMPORTANTE: Periódicamente se deben desinfectar los tanques dispensadores de agua para evitar sabores desagradables en el agua y limpiar para retirar los depósitos de minerales que puedan obstaculizar el flujo.

Para desinfectar:

1. Antes de limpiar, coloque ambos interruptores eléctricos (en la parte posterior del dispensador) en la posición **O (apagado)** y **desconecte el dispensador de agua.**
Nota: Para la instalación por primera vez, ignore los pasos 2-4.

Posición apagado
2. Desocupe la botella de agua, luego retírela del dispensador.
3. Drene los tanques de agua (ver *Cómo drenar el dispensador*).
4. **Vuelve a instalar el tapón de silicona y la tapa de drenaje (en los modelos de piso) o la tapa de drenaje y el gancho retenedor (en los modelos de encimera)** (ver *Cómo drenar el dispensador*).
5. **NO AGREGUE BLANQUEADOR PRIMERO O DIRECTAMENTE EN EL DISPENSADOR. El blanqueador concentrado puede dañar el plástico.**
Agregue 1/2 cucharada (2,5 ml) de blanqueador común casero al 6% como máximo, a una jarra de dos cuartos (2 litros) llena con agua de la llave.
6. Vierta la solución en la abertura en la parte superior del dispensador.
7. Repita los pasos 5 y 6 hasta que el dispensador esté lleno.
8. Presione los botones del dispensador para agua fría y caliente hasta que el agua empiece a fluir de las llaves.
9. Permita que se asiente por 15-20 minutos.
10. **Enjuague la solución de blanqueador:**
 - Drene los tanques de agua en una cubeta grande (modelo de piso) o lavaplatos (modelo de encimera) (ver *Cómo drenar el dispensador*).

- Cerciórese de que el tapón de silicona (en los modelos de piso) o la tapa de drenaje (en los modelos de encimera) **NO** estén instalados.
 - **IMPORTANTE: Retire el separador y limpie el tanque de agua fría** (ver *Cómo limpiar el separador*).
 - Limpie, luego vuelva a instalar el separador y el collar (ver *Cómo limpiar el separador*).
 - Vierta aproximadamente 1 galón (4 cuartos o 4 litros) de agua fresca de la llave en la parte superior y permita que se drene hacia la cubeta (modelo de piso) o lavaplatos (modelo de encimera).
 - Enjuague con 1 galón (4 cuartos o 4 litros) adicional de agua fresca de la llave y permita que se drene hacia la cubeta (modelo de piso) o lavaplatos (modelo de encimera).
11. **Vuelve a instalar el tapón de silicona y la tapa de drenaje (en los modelos de piso) o la tapa de drenaje y el gancho retenedor (en los modelos de encimera)** (ver *Cómo drenar el dispensador*).
 12. Instale una botella de agua fresca (ver *Cómo cargar el dispensador*).
 13. **Dispense 1 cuarto (1 litro) de agua de cada llave** y pruébela para cerciorarse de que la solución blanqueadora está completamente eliminada.
 14. Conecte el dispensador. Luego, encienda los interruptores de agua fría y agua caliente (en la parte posterior del dispensador).

Si continúa el sabor a cloro de la solución blanqueadora, repita los pasos del 10 al 13 hasta que el sabor desaparezca.



Posición encendido

Para retirar los depósitos de minerales:

Mezcle 2 cuartos (2 litros) de agua con dos cuartos de vinagre **O BIEN** un galón de agua (4 litros) con 16 onzas (454 g) de cristales de ácido cítrico. El blanqueador no retira los depósitos minerales. Haga esto en vez del paso 5 al retirar los depósitos minerales.

Cómo descongelar (GXCF20E/GXCF20FBB Modelo con enfriador)

Descongele cada vez que el hielo en la pared del compartimiento enfriador se vuelva excesiva. **Nunca utilice un instrumento con filo o metálico para retirar el hielo ya que puede dañar el revestimiento.** Recomendamos el uso de un raspador plástico. No use ningún aparato eléctrico para descongelar el compartimiento enfriador.

Para descongelar:

- Retire los artículos del compartimiento.
- Gire el interruptor eléctrico Cold (azul) a la posición de apagado y desconecte el dispensador.
- Coloque varias toallas al fondo del compartimiento para recoger agua.

La descongelación por lo general toma unas pocas horas. Para descongelar más rápidamente, mantenga la puerta abierta.

Después de descongelar:

- Retire las toallas mojadas y limpie cualquier agua restante.
- Limpie el compartimiento con un paño seco.
- Conecte la unidad y encienda el interruptor eléctrico en Cold (azul). Regrese los artículos a la unidad.

Preparándose para las vacaciones

Para vacaciones extensas o ausencias, coloque los dos interruptores eléctricos (en la parte posterior del dispensador) en la posición **O (apagado)**.

1. Desconecte el suministrador de agua.
2. Remueva la botella de agua.
3. Drene los tanques de agua (ver *Cómo drenar el dispensador*).

4. Seque el separador completamente tanto en la parte superior como en la parte inferior (ver *Cómo limpiar el separador*).

5. Deje la puerta del enfriador abierta (en algunos modelos).
Después de regresar de vacaciones, cerciórese de desinfectar los tanques de agua antes de usar el dispensador (ver *Cómo limpiar y desinfectar el tanque de agua*).

Especificaciones

Ritmo de enfriamiento: Aprox. 0,5 galones (2 litros) por hora

Ritmo de calentamiento: Aprox. 0,8 galones (3 litros) por hora

Capacidad: Botella de 3 ó 5 galones

Consumo eléctrico: En calentamiento: 480 vatios máximo
En enfriamiento: 125 vatios máximo

Solucionar problemas.

Problema	Posibles causas	Qué hacer
El agua tiene un sabor desagradable o un mal olor	El separador necesita ser limpiado.	• Ver <i>Cómo limpiar el separador</i> .
	El dispensador de agua debe ser desinfectado.	• Ver <i>Cómo limpiar y desinfectar los tanques de agua</i> .
El agua no está suficientemente caliente o fría	El dispensador de agua está desconectado.	• Empuje el enchufe completamente en el tomacorriente.
	El fusible o el interruptor de circuito se quemó o se disparó.	• Reemplace el fusible o reajuste el interruptor de circuito. • Si demasiados artículos están enchufados en un circuito único, mueva algunos artículos a un circuito diferente.
	Toda el agua en el tanque de agua ha sido usada.	• Espere 30 minutos para que el agua se caliente o se enfríe.
	El limitador de temperatura se disparó.	• Coloque los interruptores de agua caliente y fría (en la parte posterior del dispensador) en la posición O (apagado) . Espere 5 minutos, entonces ajuste los interruptores en la posición I (encendido) . Espere 30 minutos para que el agua se caliente o se enfríe.
El dispensador de agua no funciona – No hay flujo de agua	Botella de agua vacía.	• Reemplace con una botella de agua nueva.
	Depósitos minerales pueden estar obstruyendo los tanques.	• Ver la sección sobre <i>Cuidado y limpieza</i> .
El botón de agua fría no dispensa	Se dejó abierta la puerta del enfriador.	• Cierre la puerta del enfriador.
	Hay un bloqueo de hielo evitando que el agua fluya.	• Durante la noche, apague el interruptor energético de agua fría y enciéndalo otra vez en la mañana.
El dispensador de agua tiene una fuga desde el exterior	Hay un agrietamiento o un agujerito en la botella.	• Reemplace con una botella de agua nueva.
El compresor no comienza cuando la luz azul del interruptor de frío está encendida	Operación normal—El inicio del compresor es dilatado por hasta 3 minutos para prolongar la vida del compresor.	• Espere hasta 3 minutos para que el compresor comience.
La botella se siente caliente	El sistema se sobrellenó. El agua está hirviendo en el tanque caliente y haciendo burbujas en la botella.	• Dispense agua fría hasta que el aire sea liberado hacia la botella.
El dispensador de agua hace mucho ruido	El dispensador de agua no está apoyado de manera plana.	• Cerciórese de que el dispensador está instalado en un piso plano y nivelado lo suficientemente fuerte para soportar su peso cuando está totalmente lleno.
	La botella está haciendo ruidos de borboteo mientras el agua llena los tanques.	• Esto es normal.
	Sonido de agua hirviendo.	• Esto es normal.
	El dispensador o la botella de agua se agitan cuando el sistema de enfriamiento se apaga.	• Esto es normal.

Solucionar problemas.

Problema	Posibles causas	Qué hacer
Partículas flotando en el agua	El agua tiene un alto contenido de minerales.	<ul style="list-style-type: none"> • Encuentre una fuente de agua con menor dureza.
Un olor acre en el aire alrededor del dispensador	El tanque de agua caliente está vacío, o no lleno completamente.	<ul style="list-style-type: none"> • Presione el botón de dispensador caliente hasta que el agua fluya para remover el aire del tanque caliente.
El enfriador no opera (modelos con enfriador únicamente)	El enfriador no está encendido.	<ul style="list-style-type: none"> • Coloque el interruptor eléctrico en la posición de Cold (azul).
	El dispensador de agua está desconectado.	<ul style="list-style-type: none"> • Presione el enchufe completamente en el tomacorriente.
	El fusible/interruptor de circuitos se saltó.	<ul style="list-style-type: none"> • Reemplace el fusible o vuelva a iniciar el interruptor.
Vibración o tamborileo (una vibración ligera es normal)	El dispensador de agua está colocado en una superficie no uniforme.	<ul style="list-style-type: none"> • Use relleno para nivelar la unidad.
El compresor/motor opera (luz azul encendida) por períodos o ciclos extensos (modelos con enfriador únicamente)	A menudo ocurre cuando se colocan grandes cantidades de alimentos en el enfriador.	<ul style="list-style-type: none"> • Esto es normal.
	La puerta se dejó abierta.	<ul style="list-style-type: none"> • Revise para ver si algún paquete está obstruyendo la puerta.
	Clima cálido o la puerta se abre muy a menudo.	<ul style="list-style-type: none"> • Esto es normal.
El compresor/motor opera (luz azul encendida) por períodos o ciclos extensos (todos modelos)	Es normal cuando la unidad se conecta por primera vez.	<ul style="list-style-type: none"> • Espere 24 horas para que la unidad se enfríe por completo.
	No hay suficiente distancia de la pared.	<ul style="list-style-type: none"> • Cerciórese de que haya suficiente circulación de aire alrededor de la unidad.
	El sistema se sobrellenó.	<ul style="list-style-type: none"> • Dispense agua fría hasta que el aire sea liberado hacia la botella.
Compartimiento frío demasiado caliente (modelos con enfriador únicamente)	La puerta se dejó abierta.	<ul style="list-style-type: none"> • Revise para ver si algún paquete está obstruyendo la puerta.
Compartimiento/ El agua frío está muy fría/ congelada	Temperatura de ambiente baja.	<ul style="list-style-type: none"> • Coloque las unidades en la temperatura ambiental.
Olor en compartimiento frío (modelos con enfriador únicamente)	Los alimentos transmiten un olor al enfriador.	<ul style="list-style-type: none"> • Los alimentos con olores fuertes se deben sellar firmemente. • Mantenga una caja abierta de bicarbonato de soda en la unidad; reemplace cada tres meses.
	El interior necesita limpieza.	<ul style="list-style-type: none"> • Consulte la sección <i>Cuidado y limpieza</i>.
Se forma humedad al exterior del compartimiento frío (modelos con enfriador únicamente)	No es extraño durante períodos de alta humedad y/o temperatura.	<ul style="list-style-type: none"> • Limpie la superficie hasta secarla. • Opere la unidad en una ubicación con temperatura y humedad controladas. • Coloque la unidad en la bandeja para retener la acumulación de humedad.
La humedad se acumula al interior (en climas húmedos, el aire transporta humedad al compartimiento frío cuando la puerta se abre) (modelos con enfriador únicamente)	Abrir la puerta con mucha frecuencia o por mucho tiempo.	<ul style="list-style-type: none"> • Reduzca las veces que se abre la puerta. • Limpie la superficie hasta secarla. • Vacíe la bandeja de goteo interna. • Opere la unidad en una ubicación con temperatura y humedad controladas. • Coloque la unidad en la bandeja para retener la acumulación de humedad.

Servicio al consumidor.



Página Web de GE Appliances

ge.com

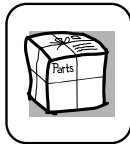
¿Tiene alguna pregunta sobre su electrodoméstico? ¡Pruebe la página Web de GE Appliances 24 horas al día, cualquier día del año! Para mayor conveniencia y servicio más rápido, ya puede descargar los Manuales de los Propietarios, o hasta ordenar partes y catálogos en línea. También puede “Ask Our Team of Experts™” (Preguntar a nuestro equipo de expertos) sobre cualquier cuestión y mucho más...



Real Life Design Studio (Estudio de diseño para la vida real)

ge.com

GE apoya el concepto de Diseño Universal—productos, servicios y ambientes que pueden usar gente de todas las edades, tamaños y capacidades. Reconocemos la necesidad de diseñar para una gran gama de habilidades y dificultades físicas y mentales. Para más detalles sobre las aplicaciones de GE Diseño Universal, incluyendo ideas de diseño para la cocina para personas con discapacidades, mire nuestra página Web hoy mismo. Para personas con dificultades auditivas, favor de llamar al 800.TDD.GEAC (800.833.4322).



Piezas y accesorios

ge.com

Individuos pueden solicitar que se les envíen partes a sus casas (aceptamos las tarjetas VISA, MasterCard y Discover). Haga su pedido en línea hoy, 24 horas cada día o llamar por teléfono, en los EEUU, al 800.626.2002 durante horas normales de oficina. En Canada, llame al 800.663.6060.

Las instrucciones descritas en este manual cubren los procedimientos a seguir por cualquier usuario. GE no proporciona servicio para el dispensador. Recomendamos que no intente proporcionar servicio al dispensador usted mismo.



Póngase en contacto con nosotros

ge.com

Si no está satisfecho con el servicio que recibe de GE, póngase en contacto con nosotros en nuestra página Web indicando todos los detalles así como su número de teléfono o escríbanos a:

General Manager, Customer Relations
GE Appliances, Appliance Park
Louisville, KY 40225

GARANTÍA LIMITADA POR UN AÑO

- **¿Qué cubre esta garantía?**
 - Cualquier defecto de fábrica en los materiales o la manufactura del producto.
- **¿Qué no cubre esta garantía?**
 - Las botellas de agua.
 - Viajes a su casa para enseñarle cómo usar el producto.
 - Instalación o entrega inapropiada, o mantenimiento impropio.
 - Fallas del producto si hay abuso, mal uso, o uso para otros propósitos que los propuestos, o uso para fines comerciales.
 - Los productos que son usados fuera de un ambiente residencial o de oficina.
 - Reemplazo de los fusibles de la casa o el reajuste de los interruptores de circuito.
 - Uso de este producto donde el agua está microbiológicamente insegura o de calidad desconocida.
 - Daño al producto si es usado para dispensar otra cosa que no sea agua.
 - Daños causados al producto debido a accidentes, incendio, inundaciones o actos de la naturaleza.
 - Cualquier servicio al producto.
 - **Daños secundarios o por consecuencia causados por posibles defectos en el producto, su instalación o reparación.**
- **¿Por cuánto tiempo después de la compra?**
 - Un año.

- **¿Cómo hago la reclamación de la garantía?**
 - Devuélvala al minorista a quien le compró el producto con una copia de “Proof of Purchase” (prueba de compra). Se le proporcionará una unidad nueva reacondicionada. Esta garantía excluye el costo de envío del producto a domicilio.

EXCLUSIÓN DE GARANTÍAS IMPLÍCITAS—Su único y exclusivo derecho es el cambio del producto, tal y como se indica en esta Garantía limitada. Cualquier garantía implícita, incluyendo las garantías implícitas de comerciabilidad o adecuación para un fin determinado, están limitadas a un año o el periodo de tiempo más breve permitido por la ley.

Esta garantía se extiende al comprador original y cualquier comprador posterior de productos comprados para uso residencial o en la oficina dentro de Estados Unidos. En Alaska, la garantía excluye el costo de envío o las visitas de servicio a su casa u oficina.

Algunos estados no permiten la exclusión o las limitaciones de daños incidentales o consecuenciales. Esta garantía da derechos legales específicos, y usted podría tener otros derechos que varían de estado a estado. Para saber cuáles son sus derechos legales, consulte a la oficina de asuntos del consumidor local o la oficina del Attorney General en su localidad.

Póngase en contacto con nosotros en ge.com, o llame sin cargo al 800.952.5039, o 866.777.7627 en Canada.

Garante: General Electric Company, Louisville, KY 40225.

Consumer Support.



GE Appliances Website

ge.com

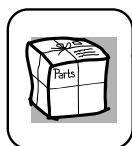
Have a question or need assistance with your appliance? Try the GE Appliances Website 24 hours a day, any day of the year! For greater convenience and faster service, you can now download Owner's Manuals, or even order parts and catalogs, on-line. You can also "Ask Our Team of Experts™" your questions, and so much more...



Real Life Design Studio

ge.com

GE supports the Universal Design concept—products, services and environments that can be used by people of all ages, sizes and capabilities. We recognize the need to design for a wide range of physical and mental abilities and impairments. For details of GE's Universal Design applications, including kitchen design ideas for people with disabilities, check out our Website today. For the hearing impaired, please call 800.TDD.GEAC (800.833.4322).



Parts and Accessories

ge.com

Individuals can have parts sent directly to their homes (VISA, MasterCard and Discover cards are accepted). Order on-line today, 24 hours every day or by phone, in the U.S., at 800.626.2002 during normal business hours. In Canada, call 800.663.6060.

Instructions contained in this manual cover procedures to be performed by any user. GE does not support any servicing of the dispenser. We strongly recommend that you do not attempt to service the dispenser yourself.



Contact Us

ge.com

If you are not satisfied with the service you receive from GE, contact us on our Website with all the details including your phone number, or write to: General Manager, Customer Relations
GE Appliances, Appliance Park
Louisville, KY 40225

LIMITED 1-YEAR WARRANTY

- *What does this warranty cover?*
 - Any defect in materials or workmanship in the manufactured product.
- *What does this warranty not cover?*
 - Water bottles.
 - Service trips to your home to teach you how to use the product.
 - Improper installation, delivery or maintenance.
 - Failure of the product if it is abused, misused, altered, used commercially or used for other than the intended purpose.
 - Products that are used outside a residential or office environment.
 - Replacement of house fuses or resetting of circuit breakers.
 - Use of this product where water is microbiologically unsafe or of unknown quality.
 - Damage to the product if used to dispense anything other than water.
 - Damage to the product caused by accident, fire, floods or acts of God.
 - Any service to the product.
 - **Incidental or consequential damage caused by possible defects with this appliance, its installation or repair.**

- *For how long after the original purchase?*
 - One (1) year.
- *How do I make a warranty claim?*
 - Return to the retailer from which it was purchased, along with a copy of the "Proof of Purchase." A new or reconditioned unit will be provided. This warranty excludes the cost of shipping the product to your home.

EXCLUSION OF IMPLIED WARRANTIES—Your sole and exclusive remedy is product exchange as provided in this Limited Warranty. Any implied warranties, including the implied warranties of merchantability or fitness for a particular purpose, are limited to one year or the shortest period allowed by law.

This warranty is extended to the original purchaser and any succeeding owner for products purchased for home or office use within the USA. In Alaska, the warranty excludes the cost of shipping or service to your home or office.

Some states do not allow the exclusion or limitation of incidental or consequential damages. This warranty gives you specific legal rights, and you may also have other rights, which vary from state to state. To know what your legal rights are, consult your local or state consumer affairs office or your state's Attorney General.

Contact us at ge.com, or call toll-free at 800.952.5039 in the U.S., or 866.777.7627 in Canada.

Warrantor: General Electric Company, Louisville, KY 40225.